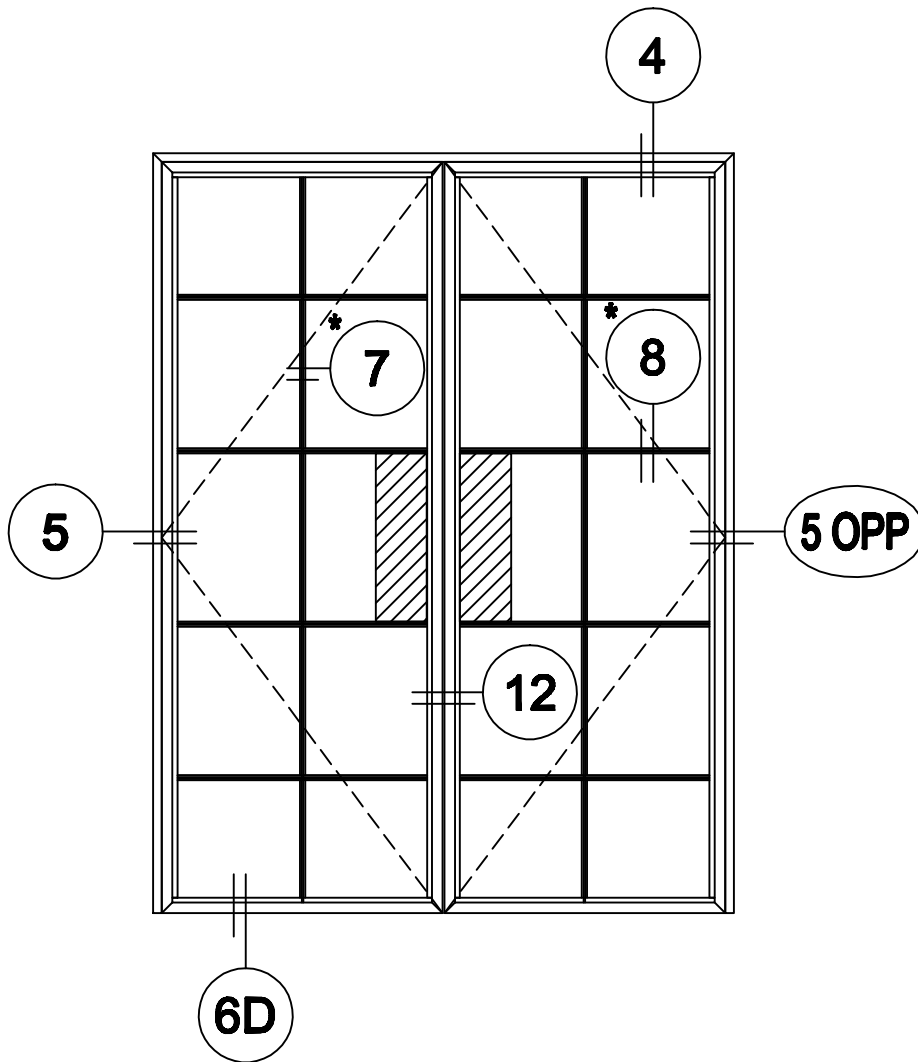


B OUT SWING PAIR OF DOORS

SERIES 2500 DOORS USE SERIES 2000 GLAZING BEADS

* SEE MUNTIN OPTIONS



NOTE: ALL DOORS ARE DRILLED (FACE HOLES ONLY) FOR A STANDARD 2 3/4" BACKSET KNOB AND DEADBOLT. HANDLE, LATCH AND LOCK HARDWARE AND INSTALLATION OF HARDWARE IS BY OTHERS. THESE DOORS ARE RECOMMENDED FOR PATIO AND BALCONY USE AND ARE OUT-SWING ONLY IN UNSHELTERED AREAS. SPECIAL PREP MUST BE ORDERED IN WRITING PRIOR TO CONFIRMATION ORDER.

