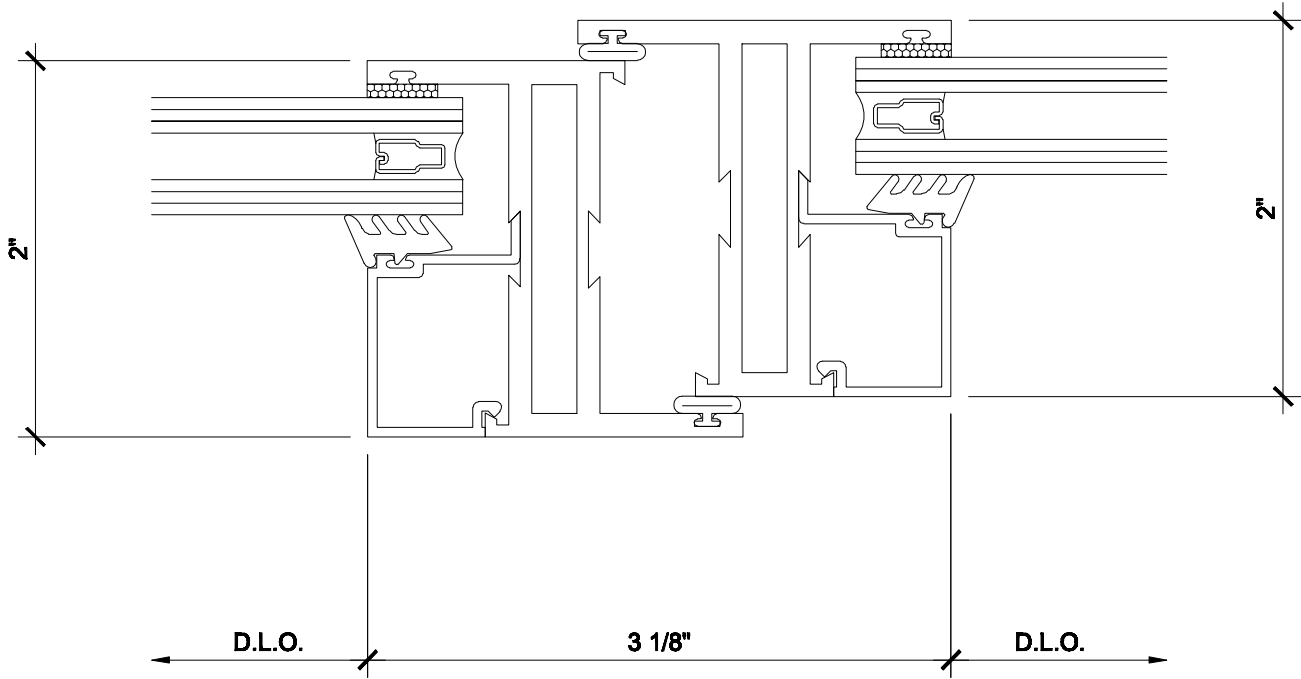


13A

VERTICAL - PROJECT OUT ADJACENT TO FIXED WINDOW



EXTERIOR



METAL WINDOW
CORPORATION