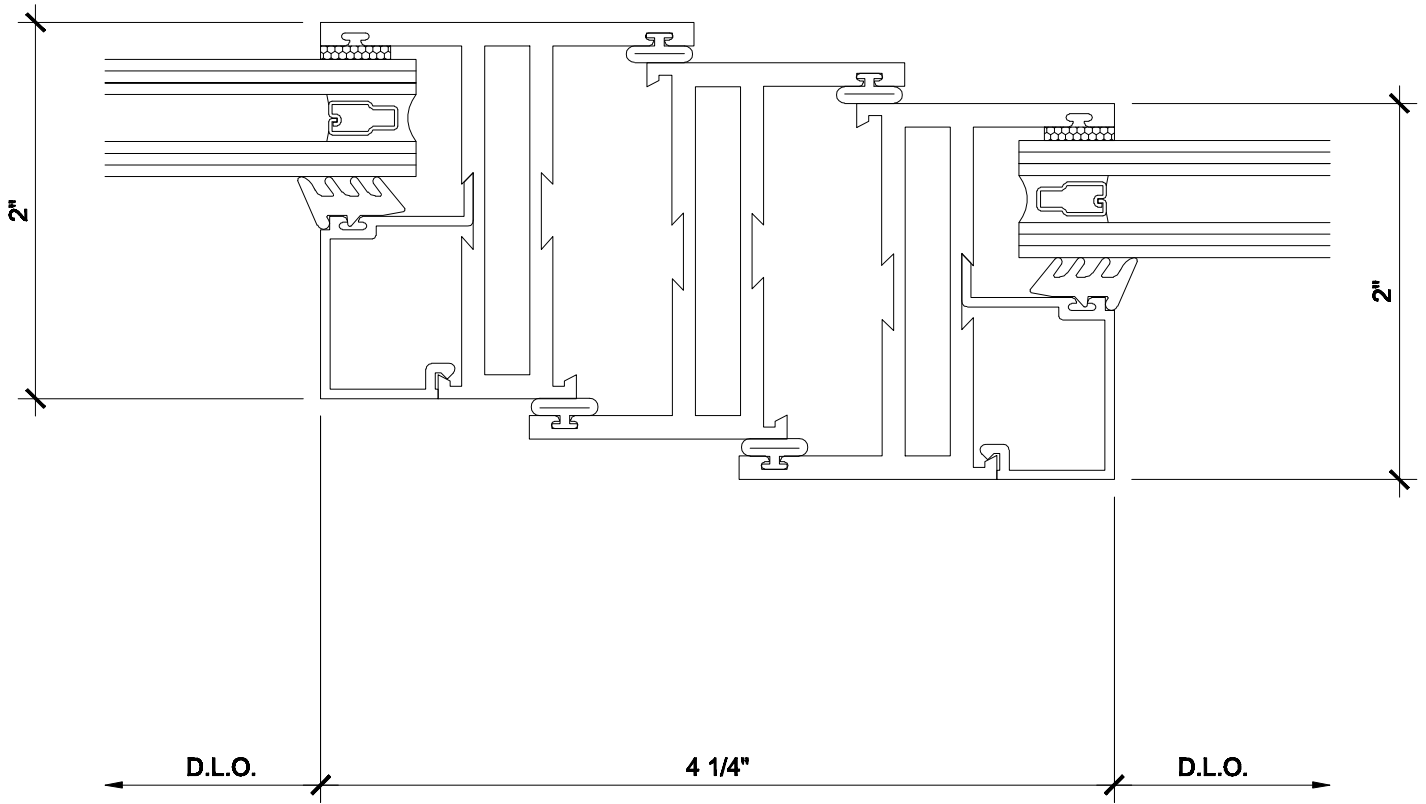


13F

VERTICAL - PROJECT IN ADJACENT TO PROJECT OUT WINDOW



EXTERIOR



**METAL WINDOW
CORPORATION**