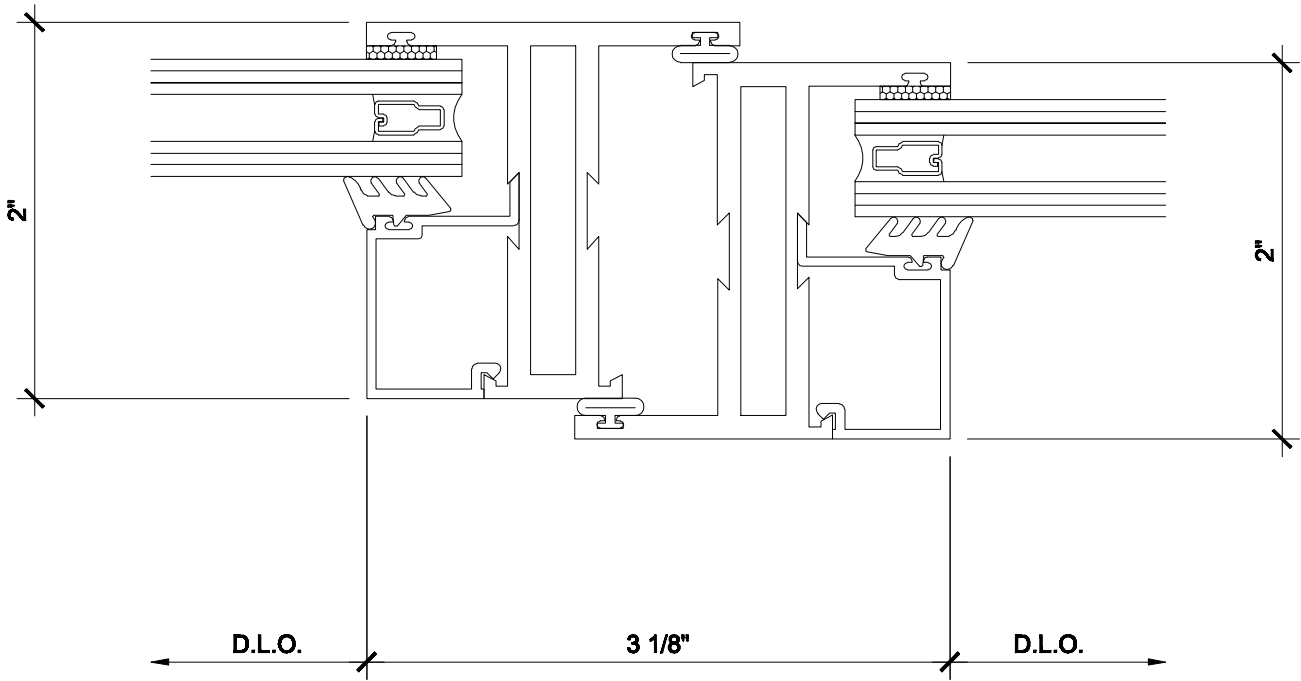


13B

VERTICAL - PROJECT IN ADJACENT TO FIXED WINDOW



EXTERIOR

