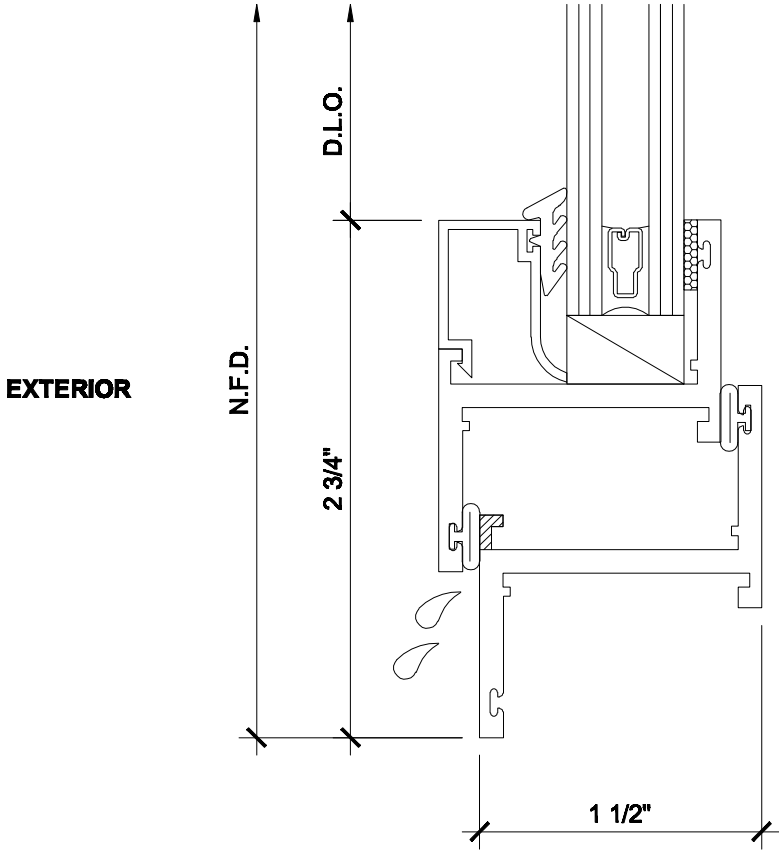


6A

# SILL - PROJECT OUT WINDOW Z-BAR FRAMING



NOTE: GLAZING BEADS MUST BE NOTCHED AT SETTING BLOCKS

