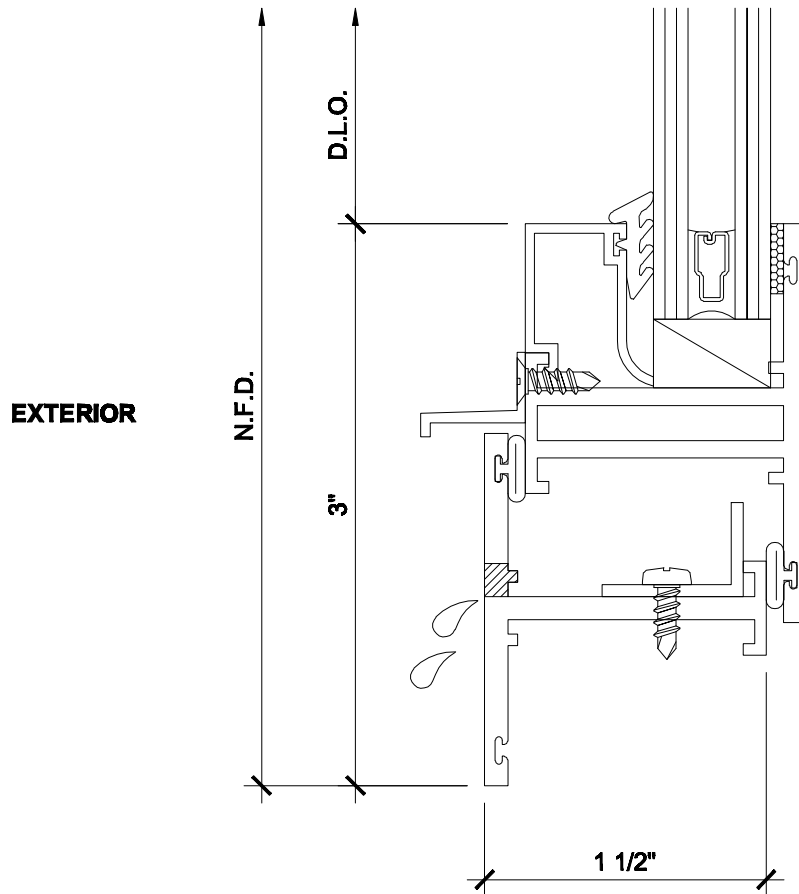


11A

SILL - PROJECT IN WINDOW T-BAR FRAMING



NOTE: GLAZING BEADS MUST BE NOTCHED AT SETTING BLOCKS

