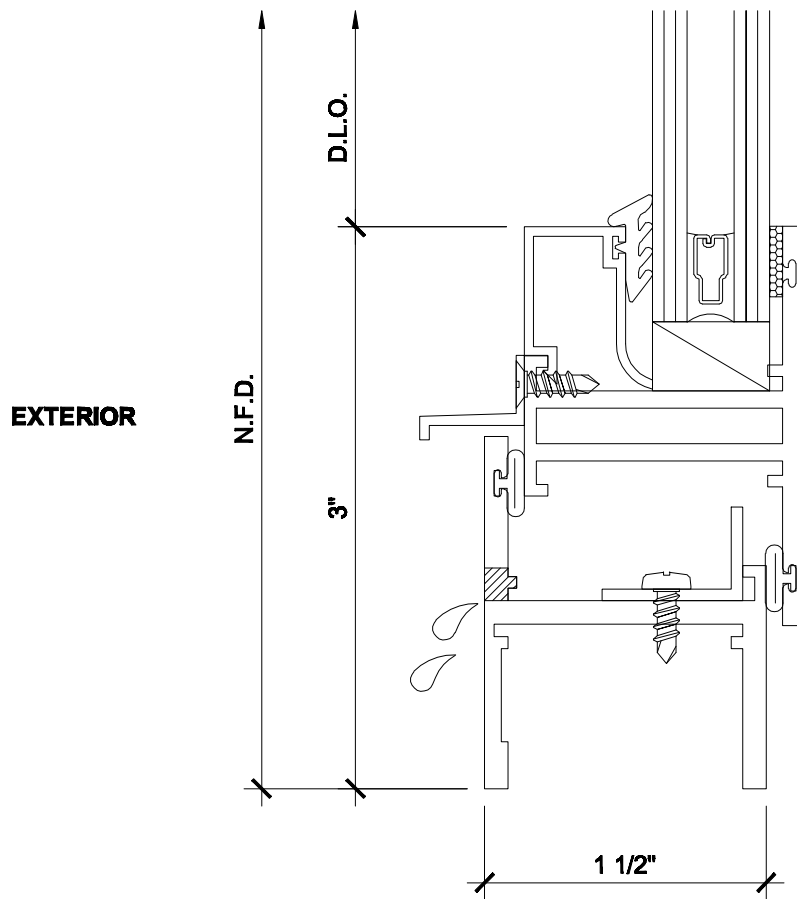


11B

# SILL - PROJECT IN WINDOW EQUAL LEG FRAMING



**NOTE: GLAZING BEADS MUST BE NOTCHED AT SETTING BLOCKS**

