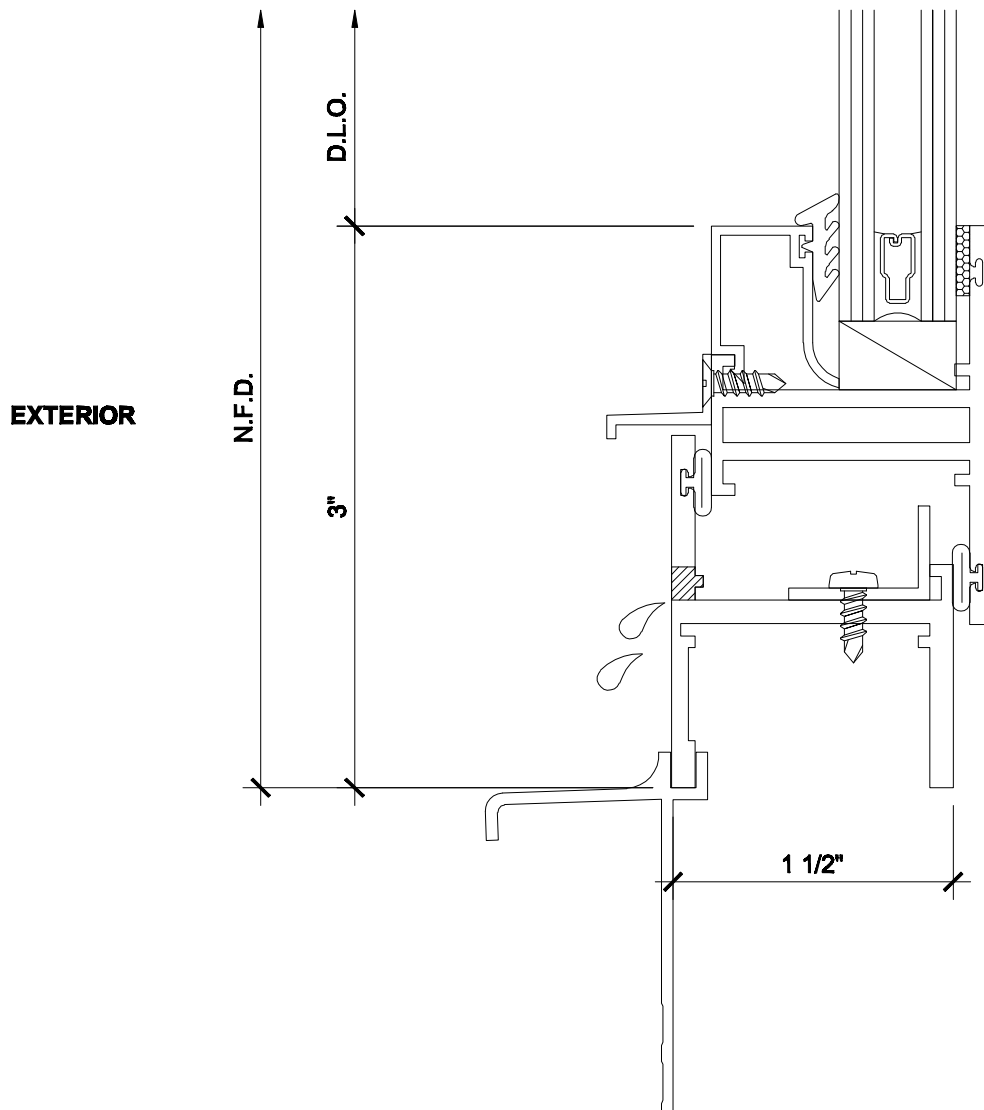


11C

SILL - PROJECT IN WINDOW EQUAL LEG FRAMING w\ NAIL-ON FIN



NOTE: GLAZING BEADS MUST BE NOTCHED AT SETTING BLOCKS

