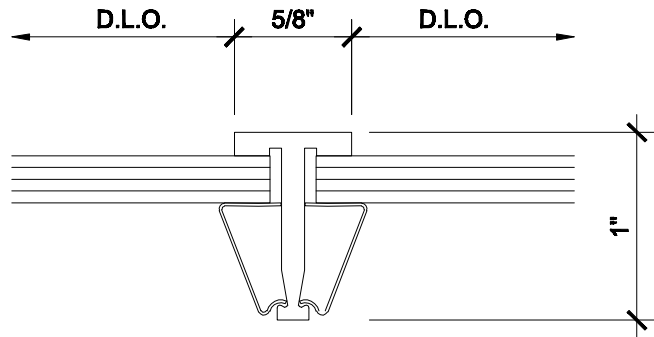


7A VERTICAL - ROLLED BEAD STOPS

SEE "MUNTIN OPTIONS"
FOR ADDITIONAL CONFIGURATIONS



EXTERIOR

