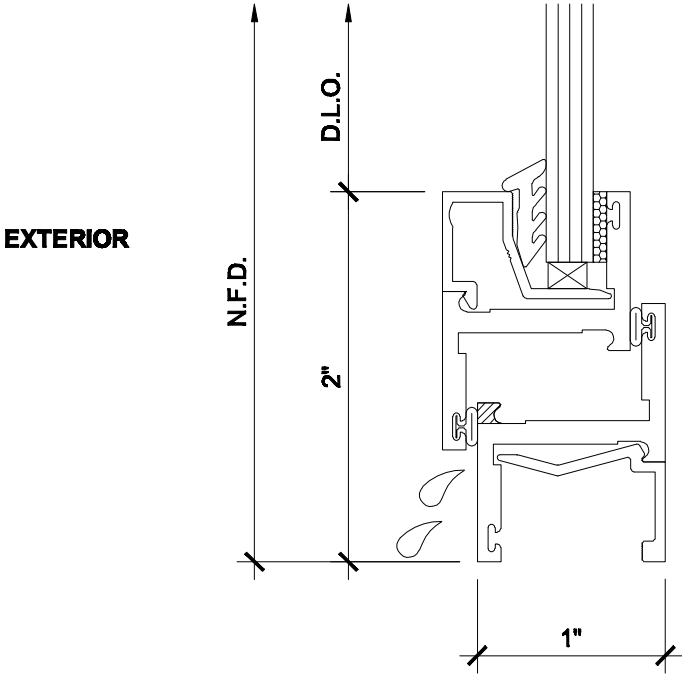


6B

SILL - PROJECT OUT WINDOW EQUAL LEG FRAMING



NOTE: GLAZING BEADS MUST BE NOTCHED AT SETTING BLOCKS

